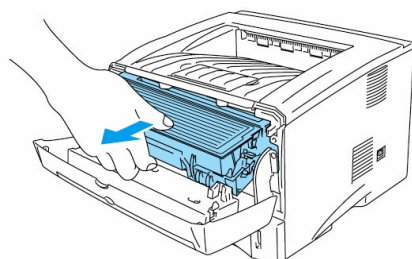


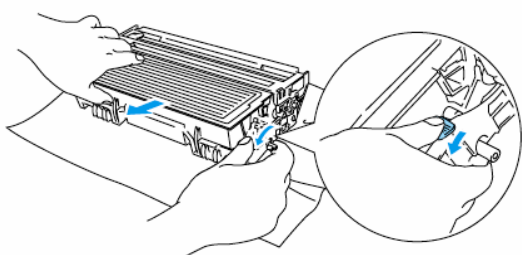
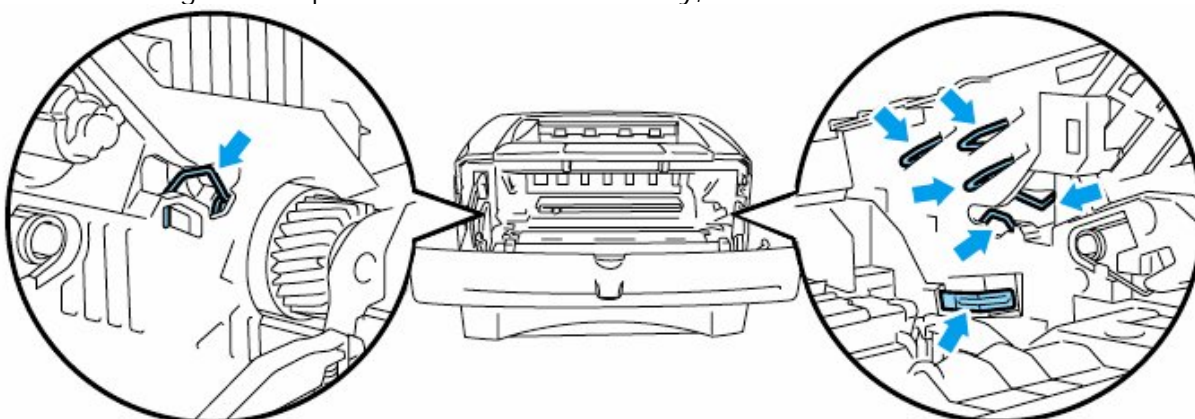
1. Open the front cover of the machine and pull out the drum unit assembly as shown in the picture.



2. Pull out the drum unit assembly.

CAUTION

- We recommend that you place the drum unit assembly on a piece of disposable paper or cloth in case you accidentally spill or scatter toner.
- To prevent damage to the printer from static electricity, do not touch the electrodes shown bellow.



3. Push down the blue lock lever and take the toner cartridge out of the drum unit.

CAUTION

Handle the toner cartridge carefully. If toner scatters on your hands or clothes, immediately wash it off with cold water.

NOTE

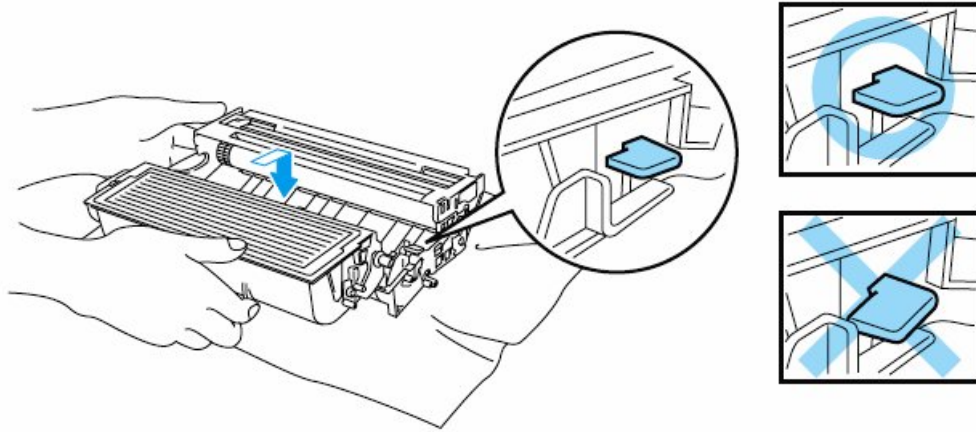
Be sure to seal up the drum unit tightly in a bag so that toner powder does not spill out of the unit.

4. Unpack the drum unit.

CAUTION

Wait to unpack a drum unit until immediately before you put it in the printer. Exposure to direct sunlight or room light may damage the drum unit.

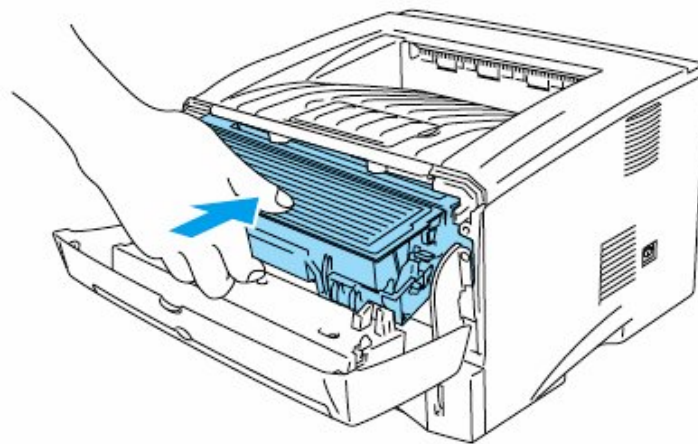
5. Put the toner cartridge firmly into the new drum unit until you hear it lock into place. If you put the cartridge in properly, the blue lock lever will lift automatically.



CAUTION

Make sure you insert the toner cartridge properly, or it may separate from the drum unit.

6. Put the drum unit assembly in the printer.
Make sure that the printer is turned on, the front cover is open and the Status LED is red.



7. Reset the drum counter. See the instructions supplied with the new drum unit.

CAUTION

- The Drum LED indication does not disappear until you reset the drum counter.
- Do not reset the drum counter when you replace only the toner cartridge.

8. Close the front cover.
9. Make sure that the Drum LED is now off.