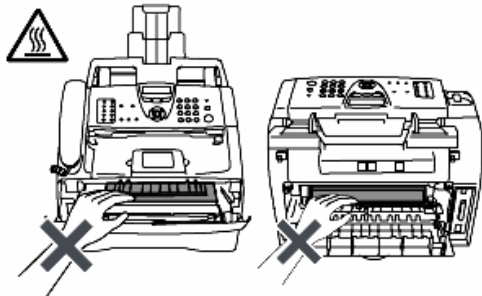
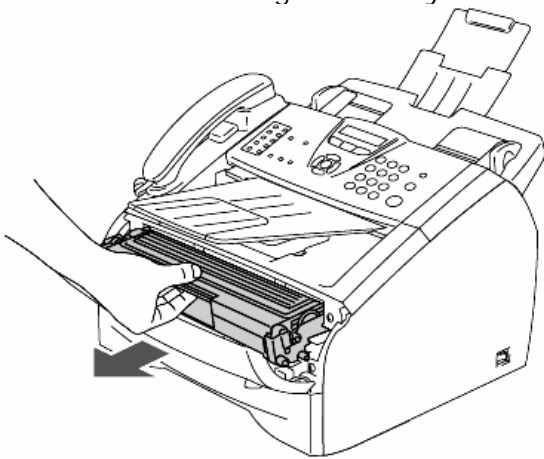


**WARNING**

Just after you have used the machine, some internal parts of the machine are extremely HOT! So please be careful.

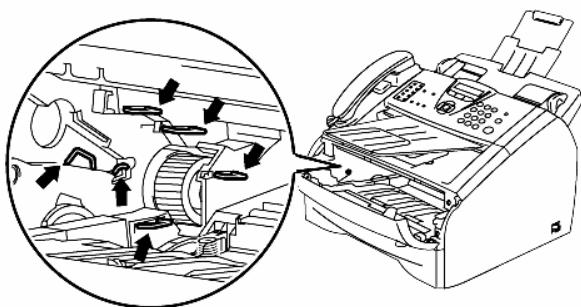


1. Open the front cover pull out the drum unit and toner cartridge assembly.

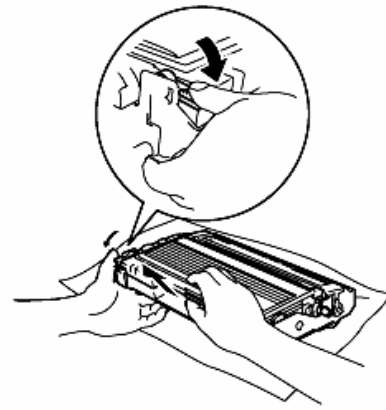


**CAUTION**

To prevent damage to the printer from static electricity, do not touch the electrodes shown below.



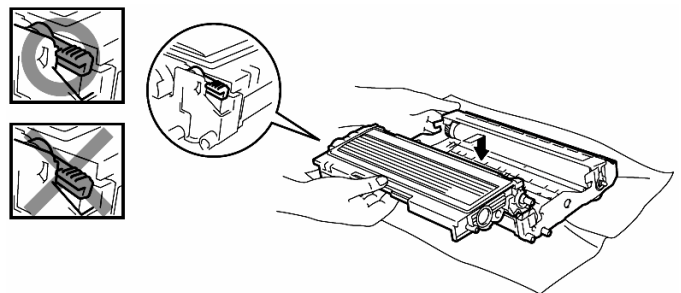
2. Hold down the lock lever on the left and pull the toner cartridge out of the drum unit.



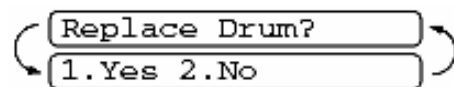
**CAUTION**

Wait to the unpack drum unit until immediately before installing it. Place the old drum unit into the plastic bag.

3. Unpack the new drum unit.



4. Install the toner cartridge into the new drum unit until it clicks into place. If you put it in properly, the lock lever will lift automatically.
5. Reinstall the drum unit and toner cartridge assembly in the machine
6. Do not close the front cover



7. Press Options.  
To confirm you are installing a new drum, press 1.
8. When LCD shows accepted, close the front cover.

**CAUTION**

If toner scatters and your hand or clothes get dirty, immediately wipe off or wash with cold water.