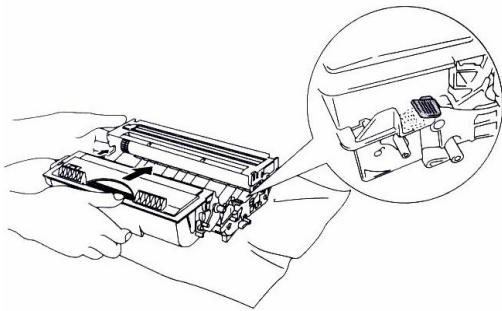
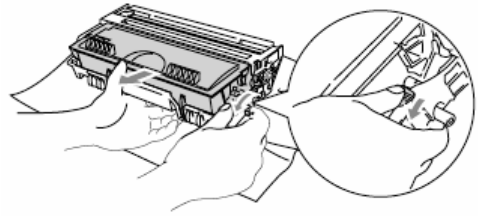


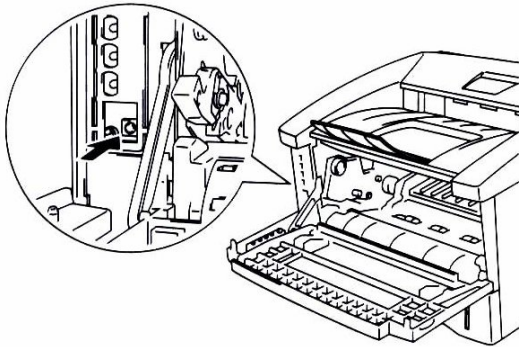
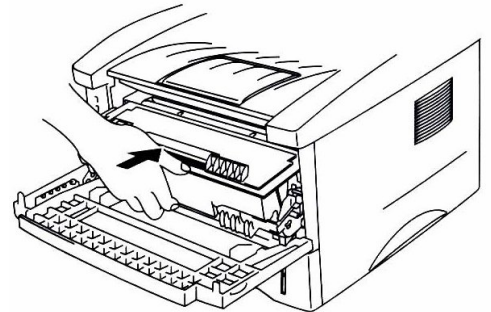
1. Open the front cover of the machine and pull out the drum unit assembly as shown in the picture.

2. Place the drum unit assembly on a flat, horizontal surface, and pull the toner cartridge up and out of the drum unit while pushing the blue lock lever down.



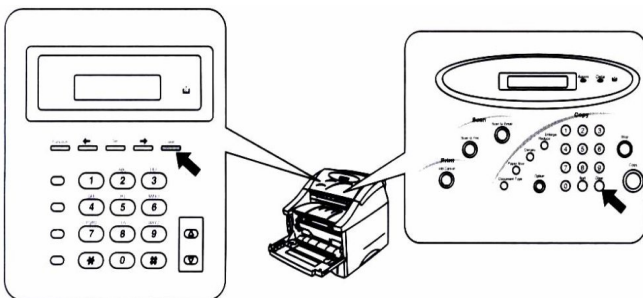
3. Unpack a new drum unit. Install the toner cartridge into the new drum unit it locks into place, indicated by a click.

4. Re-install the drum unit assembly into the machine.

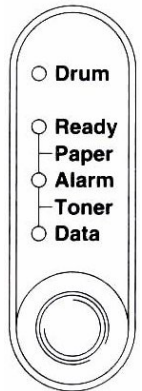


5. Keep holding down the button until all LEDs turn on with the front cover open, then release the button.

6. Make sure that the drum LED is off. Close the front cover.



7. With front cover open, press the clear button on the control panel. Then, "REPLACE DRUM?" message appears on the LCD.



8. Press 1 and when the display shows 'ACCEPTED', close the front cover.

