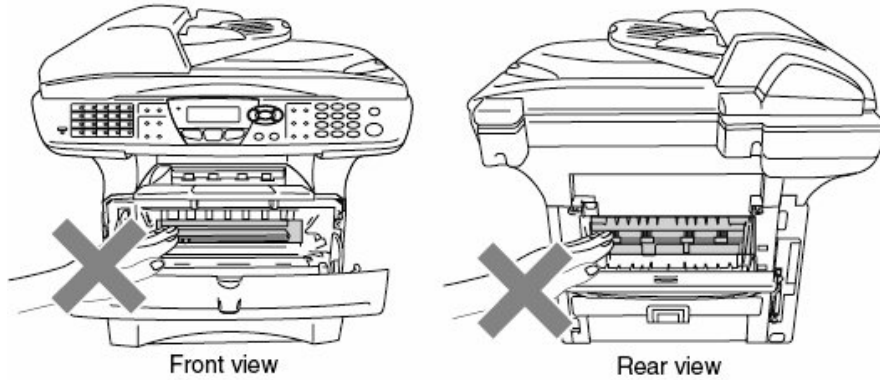
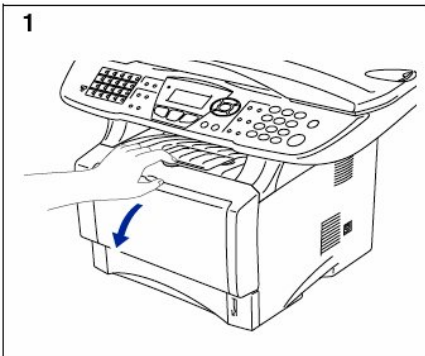


WARNING – HIGH TEMPERATURE

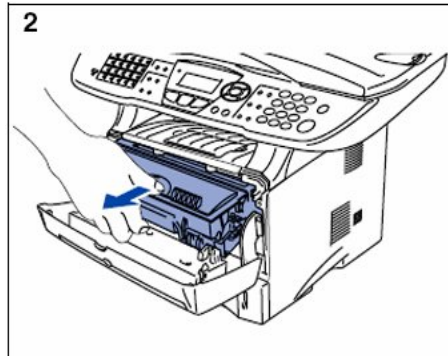


Front view

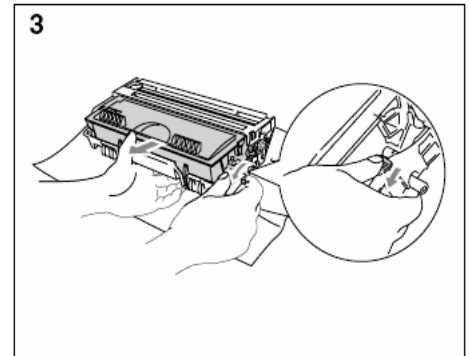
Rear view



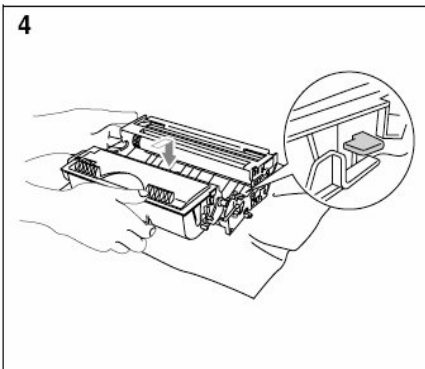
1
Press the Cover release button and then open the Front cover.



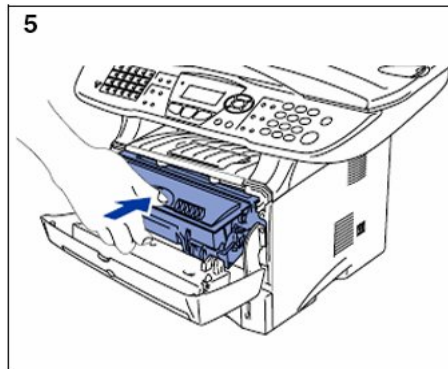
2
Pull out the Drum unit assembly



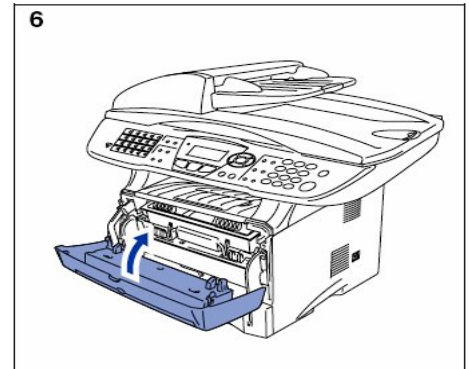
3
Press the Lock lever down, and then pull the Toner cartridge out of the Drum unit assembly. Unpack the new Drum unit.



4
Install the Toner cartridge into the new Drum unit until you hear it lock into place. When the Toner cartridge is installed correctly, the Lock lever is lifted automatically.



5
Install the Toner cartridge into the new Drum unit until you hear it lock into place. When the Toner cartridge is installed correctly, the Lock lever is lifted automatically.



6
To reset the drum counter make sure that the Front cover is open, press Clear/Back button and then press 1 button until the LCD shows Accepted. Close the front cover.